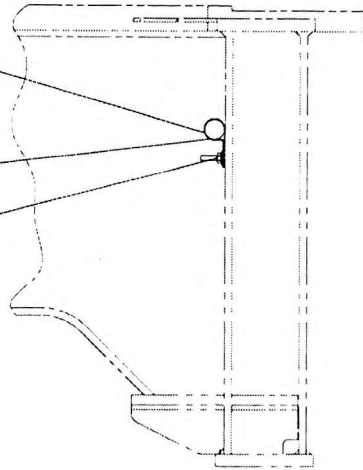


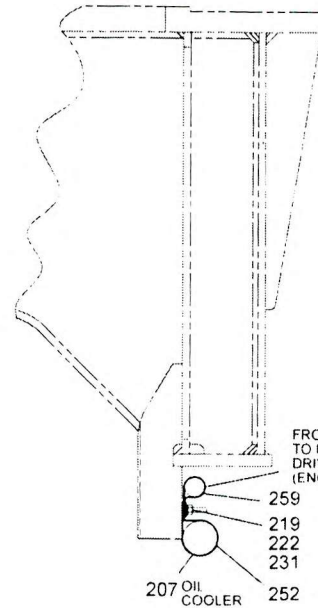
# Manitowoc Crane Group

FROM PORT #6  
SWIVEL TO "P"  
PORT PUMP #2  
ENGINE DRIVEN  
(SEE ENGINE  
INSTL FOR CALLOUT)  
(A/C OPTION ONLY)

260  
231  
222  
219



VIEW W-W



FROM PORT #5 SWIVEL  
TO PUMP #2 ENGINE  
DRIVEN OUT (TOP) PORT  
(ENGINE INSTL FOR CALLOUT)

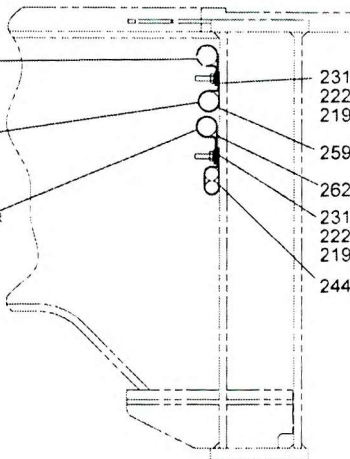
VIEW X-X

COOLER  
FILTER INSTL  
FOR CALLOUT

FROM PORT #5  
SWIVEL TO PUMP  
#2 ENGINE DRIVEN  
OUT (TOP) PORT  
(SEE ENGINE INSTL  
FOR CALLOUT)

FROM HYD RESERVOIR  
TO "S" PORT  
PUMP #2  
ENGINE DRIVEN  
(SEE ENGINE  
INSTL FOR CALLOUT)  
(A/C OPTION ONLY)

231  
222  
219  
259  
262  
231  
222  
219  
244



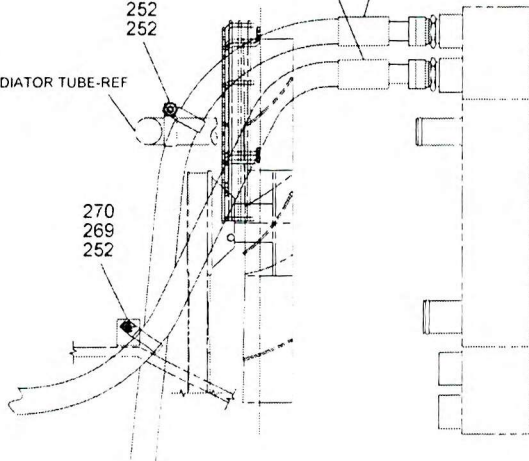
VIEW V-V

257  
222  
231  
219  
252  
252

205 207

RADIATOR TUBE-REF

270  
269  
252



DETAIL Y

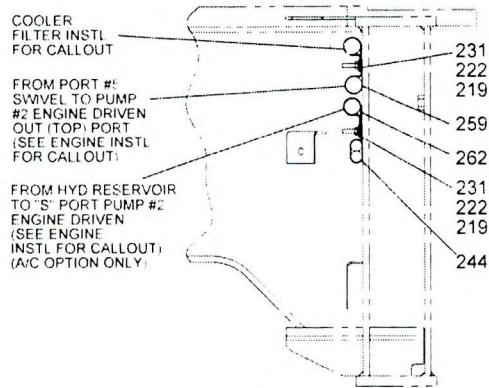
ENGINE RADIATOR  
TRANS OIL COOLER (BOTTOM)  
HYDRAULIC OIL COOLER (TOP)

252 207 219  
222  
231  
257  
260

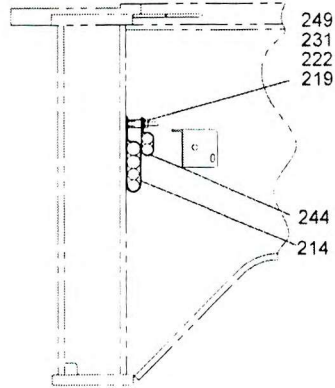
FROM PORT #5  
SWIVEL TO "P"  
PORT PUMP #2  
ENGINE DRIVEN  
(SEE ENGINE  
INSTL FOR CALLOUT)  
(A/C OPTION ONLY)

DETAIL Z

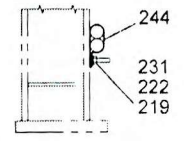
# Manitowoc Crane Group



VIEW R-R

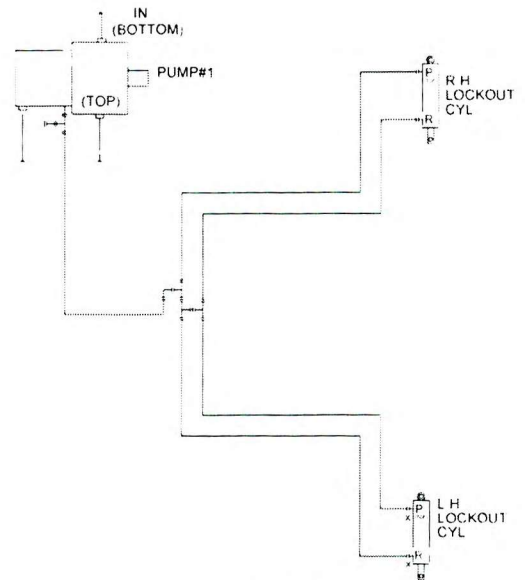
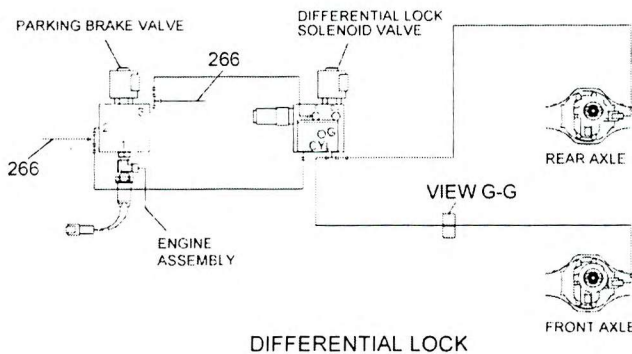


VIEW S-S



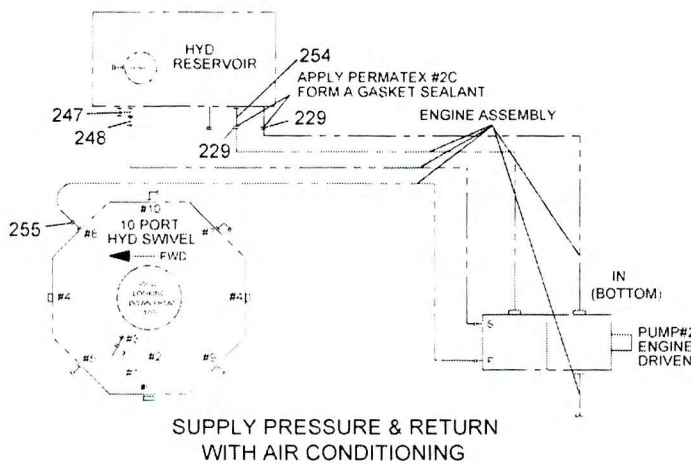
VIEW T-T

ROUTING

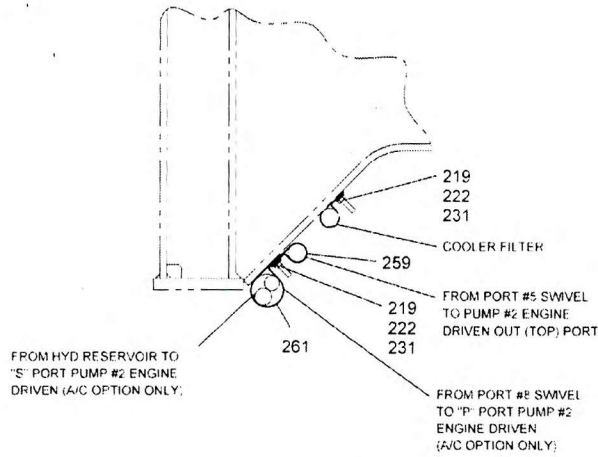


REAR AXLE LOCKOUT CE CONFORMITY

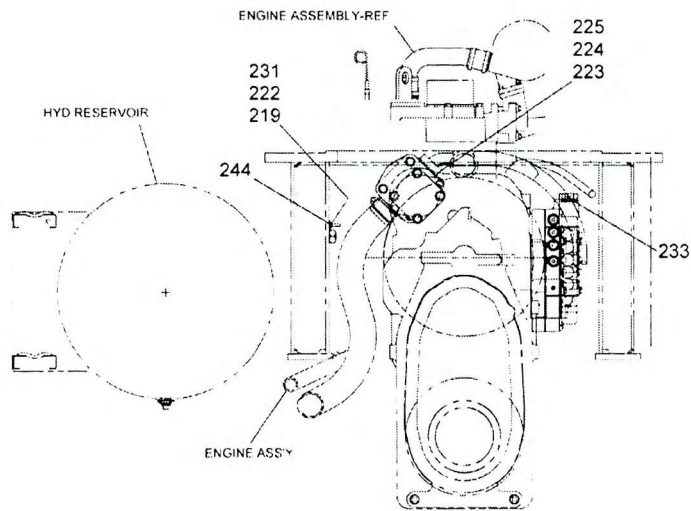
NOTE: THE "X" DESIGNATES THE ELBOW END OF THE HOSE ASSEMBLY.



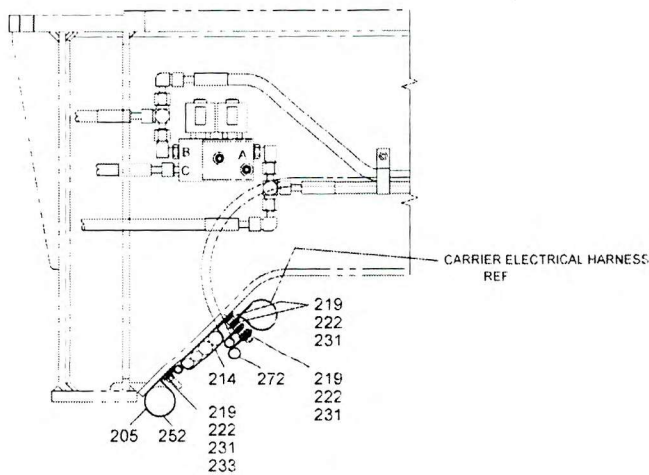
# Manitowoc Crane Group



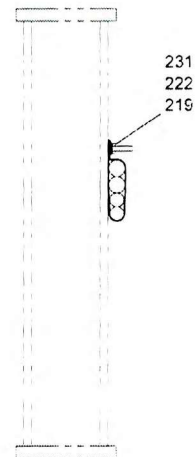
VIEW H-H



VIEW F-F



VIEW G-G



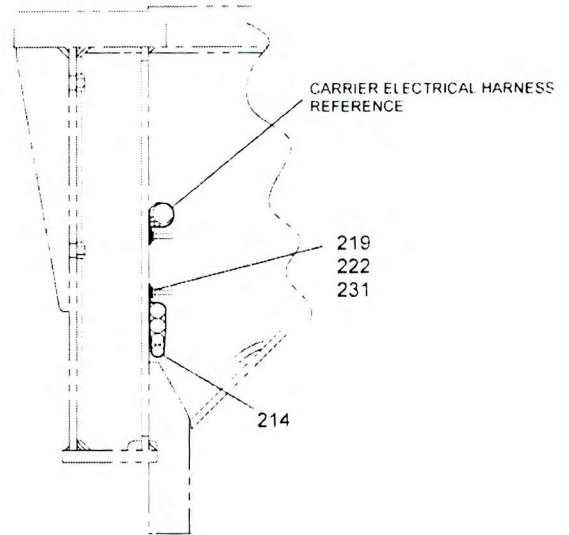
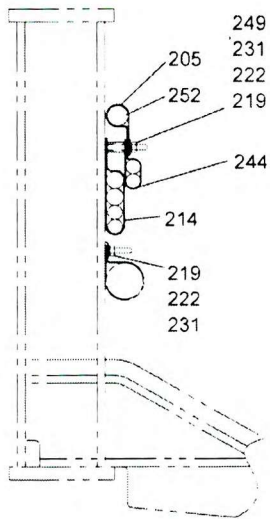
VIEW J-J

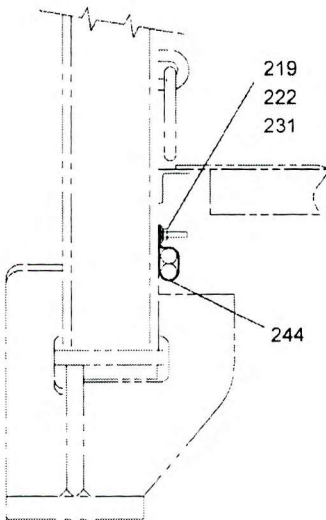
ROUTING

2159610120

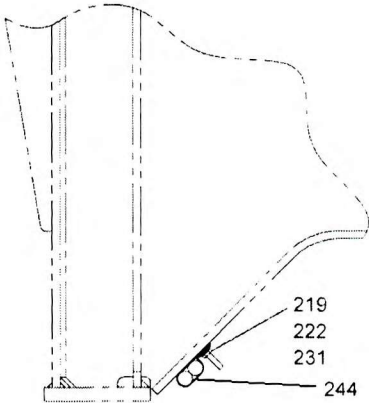
(SHEET 6 OF 8)

Page 679

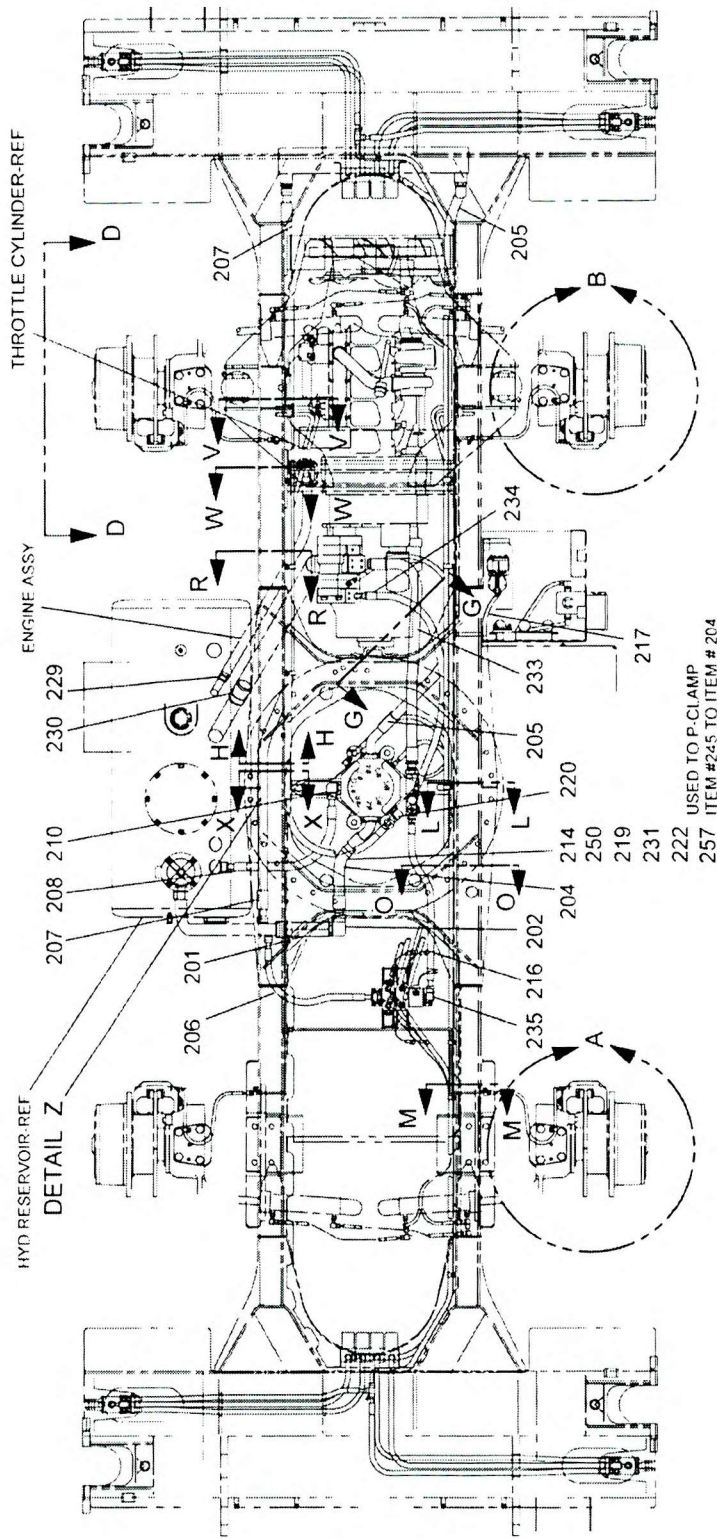




VIEW M-M



VIEW O-O



(SHEET 3 OF 8)

